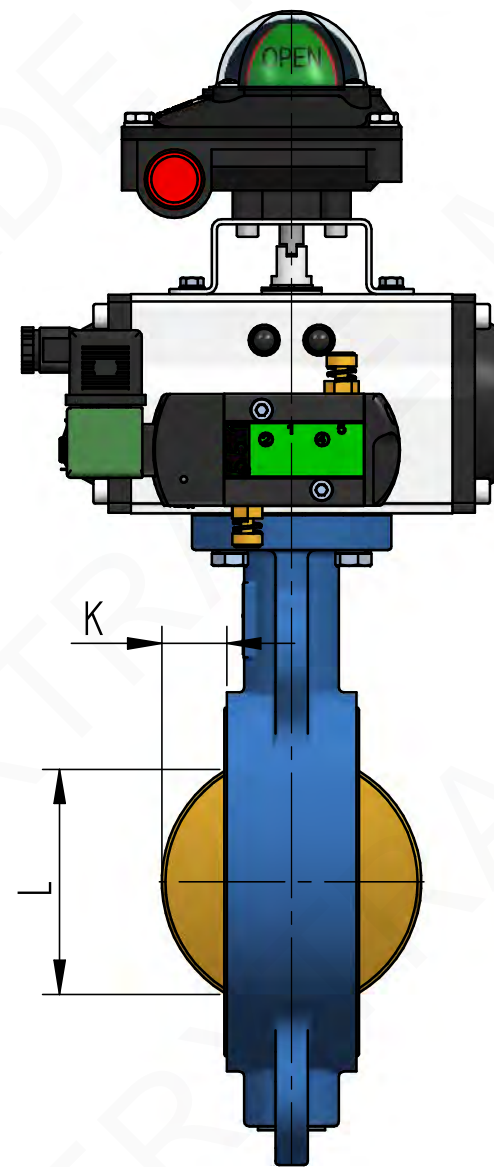
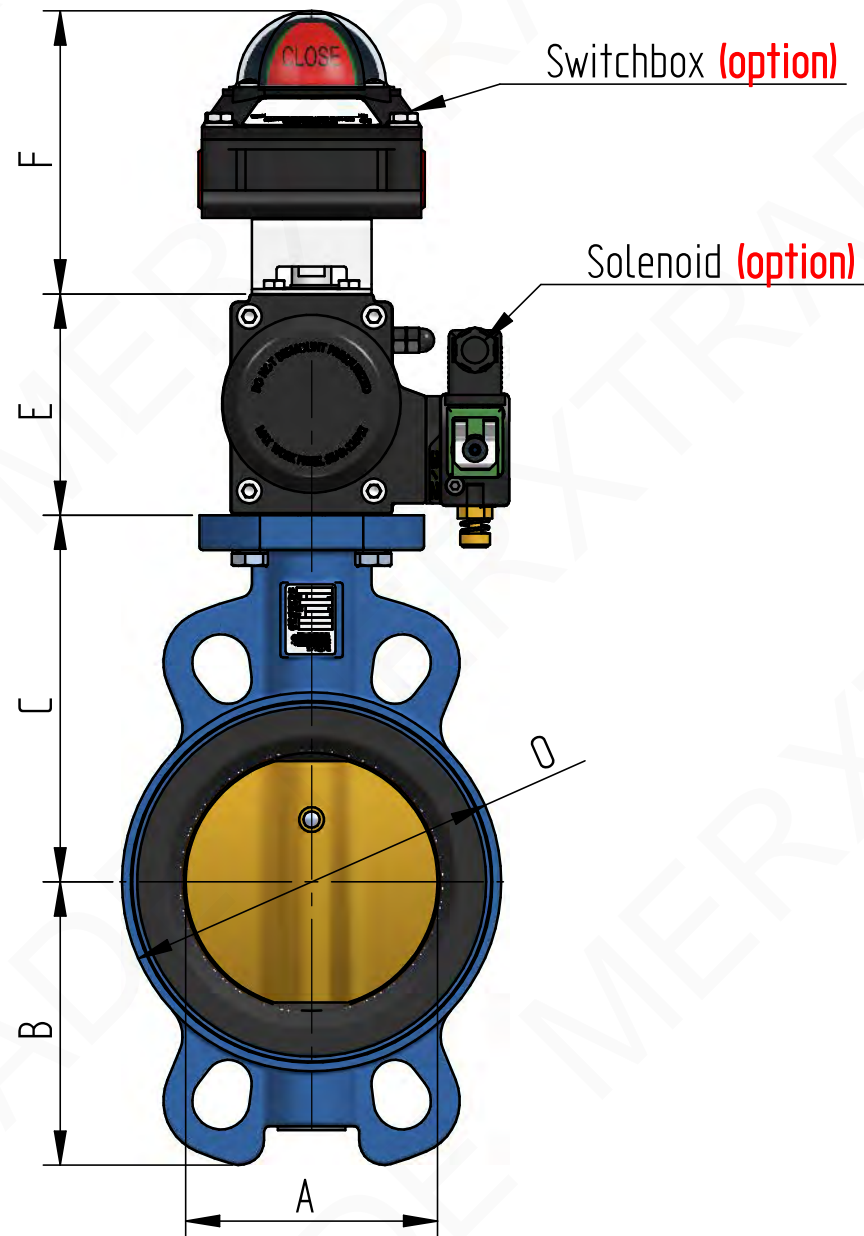


WAFER TYPE PNEUMATIC ACTUATOR DOUBLE ACTING (DA)



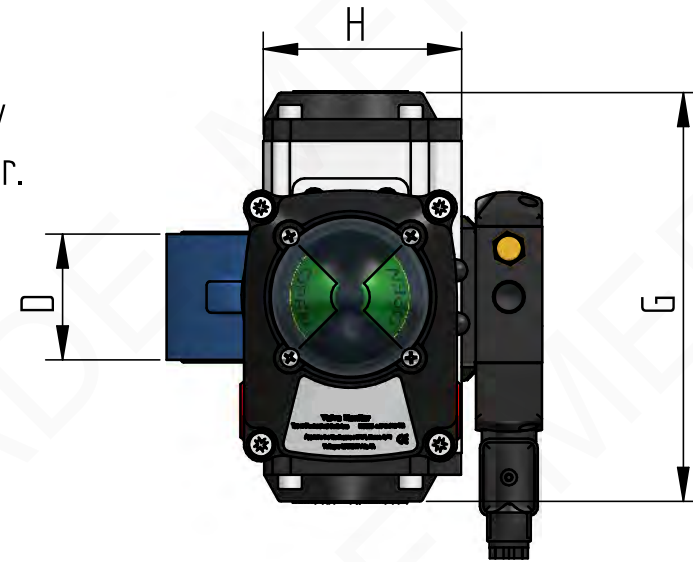
WAFER TYPE PNEUMATIC ACTUATOR (DA) DN40 - DN300



Size DN40 to DN300, Design EN593
 Face to face acc. EN558.1 series 20
 Flange connections: DIN PN6-10-16-25
 ANSI B 16.5 Cl. 150#, JIS B 2211 5K, 10K
 Temperature -40/+250°C
 Various pressure ratings up to 25 bar
 Top flange according ISO 5211
 Vacuum to 1*10⁻³ 0.2 Torr absolute

Standard available materials :			
BODY	DISC	SHAFT	SEAT
EN-JS1030	BS 1400 AB2	SS 1.4122	NBR -15°C / +80°C
A216 WCB	EN-JS1030	SS 431	EPDM -30°C / +110°C
SS 1.4408	SS 1.4408	SS 1.4462	Viton -0°C / +200°C
BS 1400 AB2	SD 2507	SD F53	Silicone -20°C / +250°C

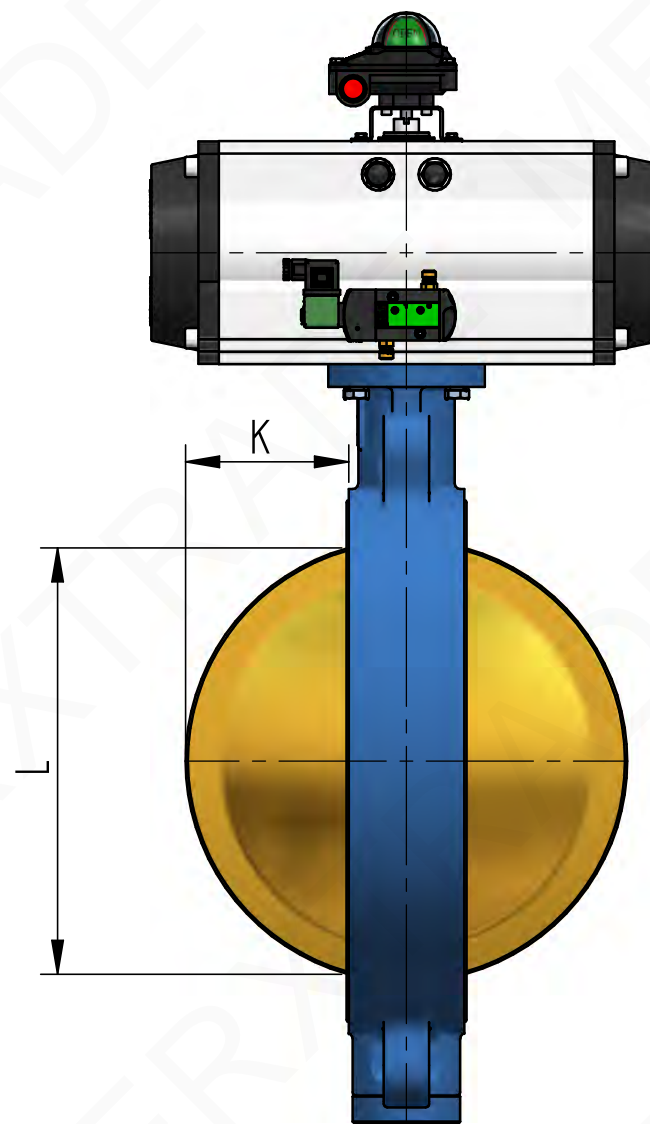
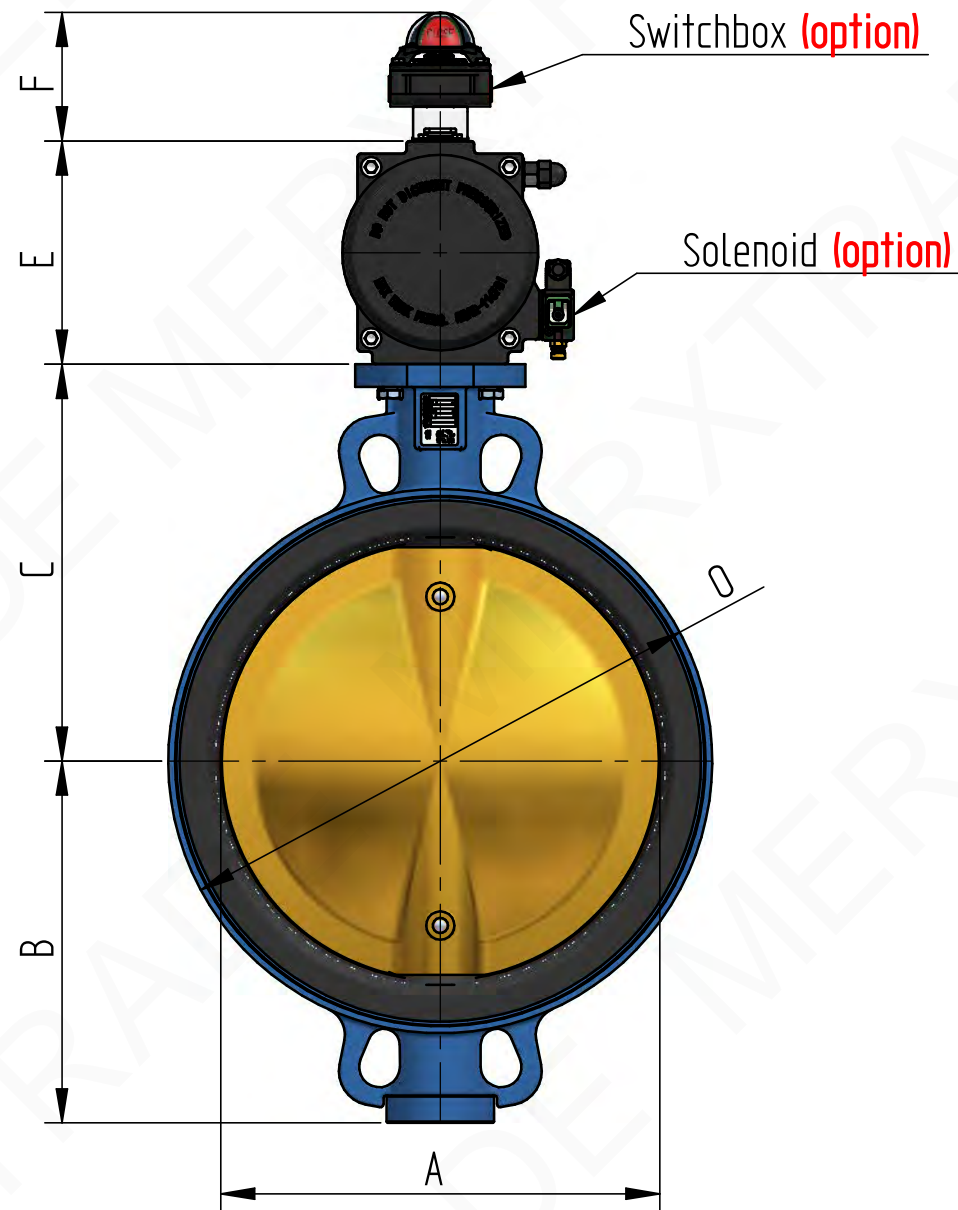
Min. Air supply pressure 6 bar.



Size	PNEUMATIC	A	B	C	D	E	F	G	H	K	L	O	Weight ± Kg
DN 40	063 D	41	58	113	33	88	114	169	82	4	24	72	4.6
DN 50	063 D	52	65	118	43	88	114	169	82	5	27	93	5.9
DN 65	063 D	63	89	126	46	88	114	169	82	9	43	108	6.9
DN 80	063 D	78	96	133	46	88	114	169	82	16	62	124	7.1
DN 100	063 D	103	113	147	52	88	114	169	82	26	90	152	8.5
DN 125	075 D	125	130	160	56	100	114	201	94	34	110	177	11.2
DN 150	083 D	155	146	180	56	108	114	209	101	50	145	210	13.7
DN 200	105 D	201	177	204	60	133	114	275	122	71	193	265	21.8
DN 250	125 D	249	205	245	68	155	114	332	138	91	241	313	31.1
DN 300	140 D	302	239	270	78	172	114	385	153	112	291	371	47.7

The details of this datasheet are subject to change without prior notification.

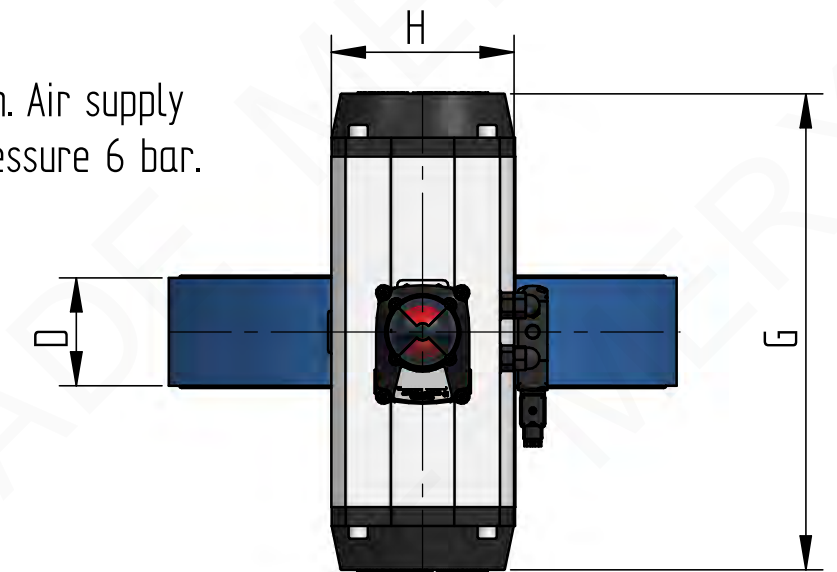
WAFER TYPE PNEUMATIC ACTUATOR (DA) DN350 - DN1000



Size DN350 to DN1000, Design EN593
 Face to face acc. EN558.1 series 20
 Flange connections: DIN PN6-10-16-25
 ANSI B 16.5 Cl. 150#, JIS B 2211 5K, 10K
 Temperature -40/+250°C
 Various pressure ratings up to 25 bar
 Top flange according ISO 5211
 Vacuum to 1*10⁻³ 0.2 Torr absolute

Standard available materials :			
BODY	DISC	SHAFT	SEAT
EN-JS1030	BS 1400 AB2	SS 1.4122	NBR -15°C / +80°C
A216 WCB	EN-JS1030	SS 431	EPDM -30°C / +110°C
SS 1.4408	SS 1.4408	SS 1.4462	Viton -0°C / +200°C
BS 1400 AB2	SD 2507	SD F53	Silicone -20°C / +250°C

Min. Air supply pressure 6 bar.



Size	PNEUMATIC	A	B	C	D	E	F	G	H	K	L	O	Weight ± Kg
DN 350	140 D	340	295	315	78	172	114	385	153	128	324	434	70
DN 400	160 D	397	319	350	102	197	114	450	174	144	376	480	96
DN 450	190 D	438	352	375	114	230	124	507	206	163	426	536	138
DN 500	210 D	489	387	415	127	255	124	562	226	182	475	590	182
DN 600	240 D	590	453	562	154	290	124	646	258	219	572	693	279
DN 700	270 D	692	491	560	165	320	124	722	292	265	676	800	373
DN 800	350 D	792	550	620	190	410	144	866	385	302	772	905	494
DN 900	350 D	861	615	675	203	410	144	866	385	330	840	1005	644
DN 1000	350 D	961	668	735	216	410	144	866	385	374	940	1115	894

The details of this datasheet are subject to change without prior notification.

www.merxtrade.com

Information provided as an indication and subject to possible modification. Colours and details can be different then shown in data sheets or pictures. Merxtrade BV has no liability for any damages by use off any information displayed on these pages.